



EBTZ-42425-4ERR

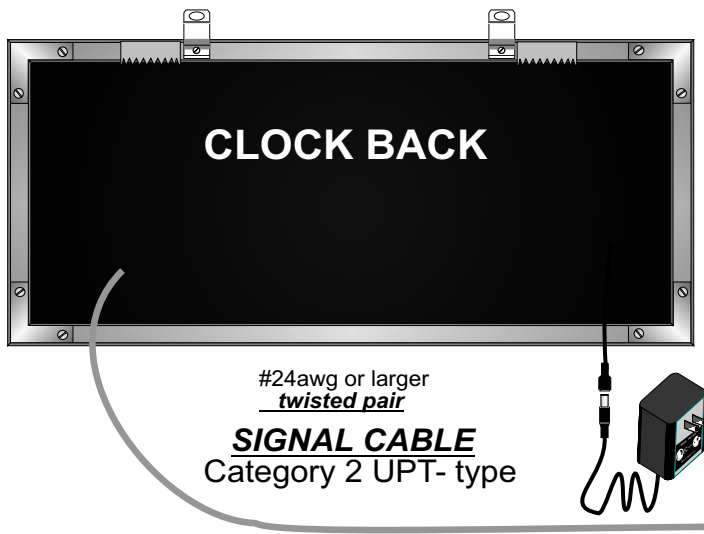


SPECIFICATIONS

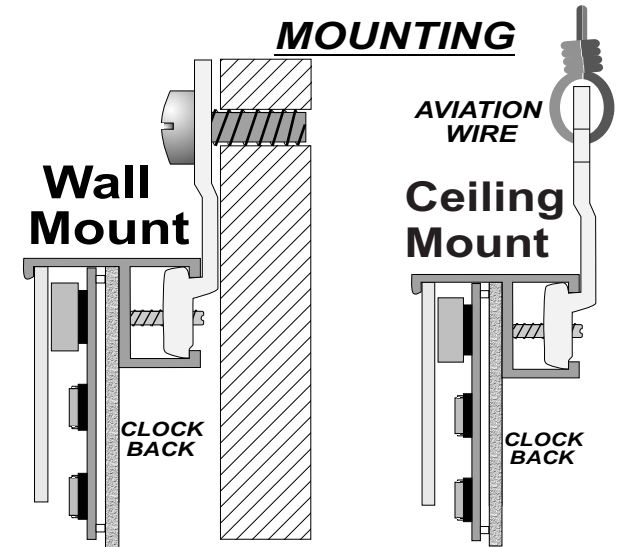
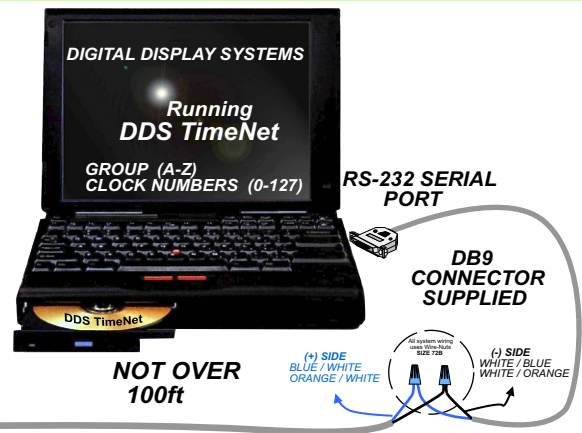
- TYPE:** ----- DIGITAL and 15 CHARACTER **ALPHANUMERIC** in (*Red, Green, Yellow or Blue*)
- DISPLAY:** ----- 4-DIGIT, 7 seg. **TIME** in (*Red, Green or Blue*) and 5 x 7 DOT- MATRIX
- CHARACTER HEIGHT:** ----- 2.5" (63.5mm) HR / MIN 1.2" (30.48mm) **15 Character location display**
- VISIBILITY:** ----- 85 Ft. (25.90 METERS)
- POWER REQUIREMENTS:** -- 100-240V 1.5A 47~63 Hz (**12vdc SWITCHING POWER SUPPLY**).
- FRAME:** ----- ALUMINUM (BLACK ANODIZED FINISH OR SILVER)
- DIMENSIONS:** ----- 8.25" x 64.25" x 1.38"
- WEIGHT:** ----- 11.25 lbs.
- OPERATING TEMP.:** ----- -17° TO 190° F
- HUMIDITY:** ----- 0% TO 95% NON-CONDENSING
- OPERATING MODE:** ----- 12 or 24 HR SELECTABLE and AUTOMATIC DAY LIGHTS.

ALL CLOCKS USE THE DALLAS DS32 SERIES RTC PARTS, AND OUR FIRMWARE CONTROL, TO GET THE ONE SEC A YEAR ACCURACY. **1 SEC A YEAR ACCURATE (TCXO)**

World's Most Accurate RTC

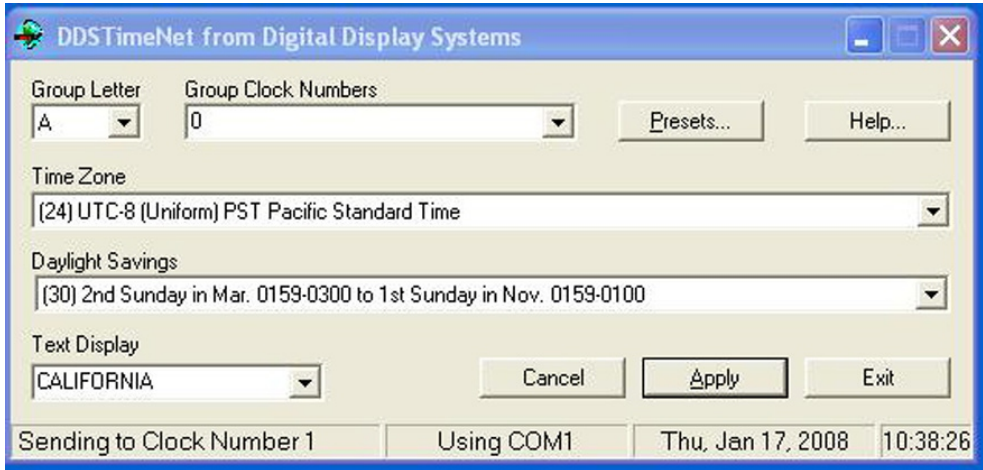


THE PC IS USED TO SET THE LOCATION DISPLAY AND TIME. THE CLOCK CAN RUN ON ITS OWN WITHOUT THE PC.





RS-232 SERIAL PORT
DB9 CONNECTOR SUPPLIED



RS-232 NOT OVER 100ft

(+) SIDE
 BLUE / WHITE
 ORANGE / WHITE

For all system wiring uses Wire-Nuts SIZE 72B

(-) SIDE
 WHITE / BLUE
 WHITE / ORANGE

ALL CLOCKS USE THE DALLAS DS32 SERIES RTC PARTS, AND OUR FIRMWARE CONTROL, TO GET THE ONE SEC A YEAR ACCURACY.



1 SEC A YEAR ACCURATE (TCXO)

WHEN ON THE PC THE PC TIME IS UP DATING THE TIME ON THE TIME ZONE CLOCKS. WHEN THE PC IS OFF THE (0) ZONE IS UPDATING THE TIME AND THE COLON IS FLASHING ON ZONE (0).

GROUP CLOCK NUMBERS

